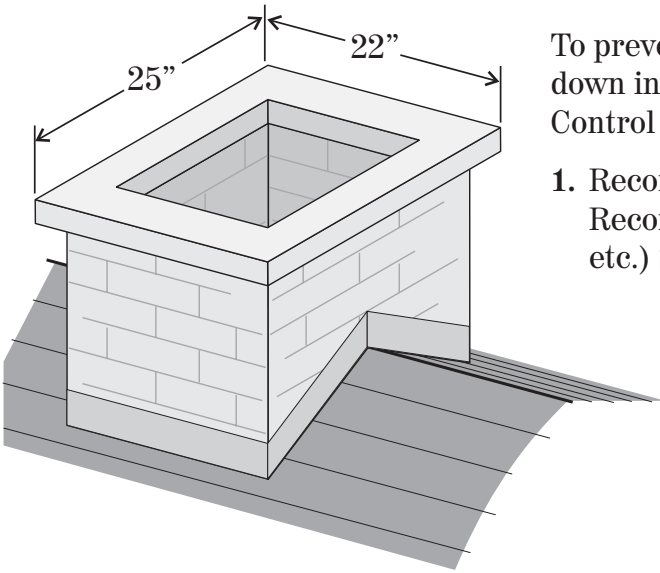


Chimney installation example

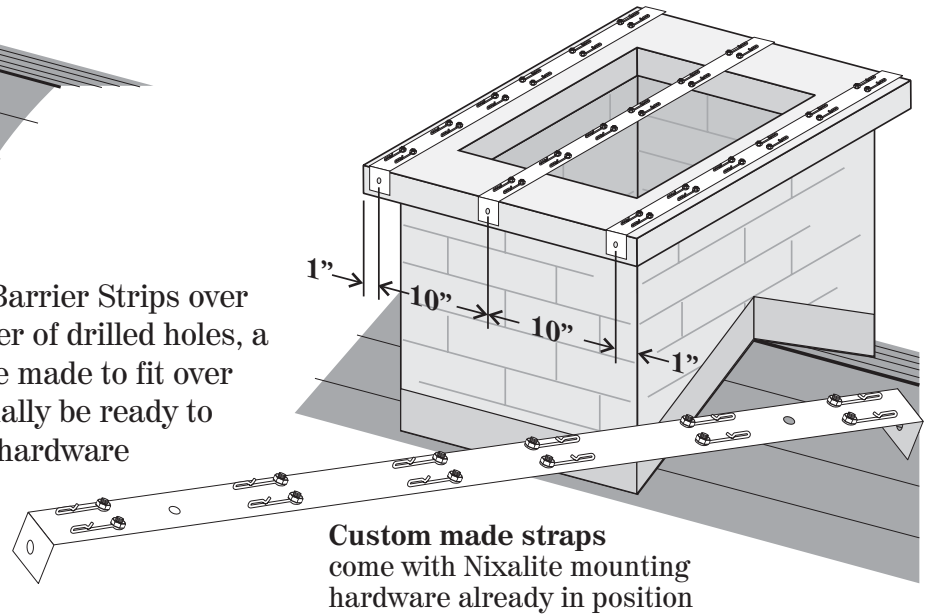
Bird and animal exclusion with Nixalite Premium Bird Barrier strips and custom forms



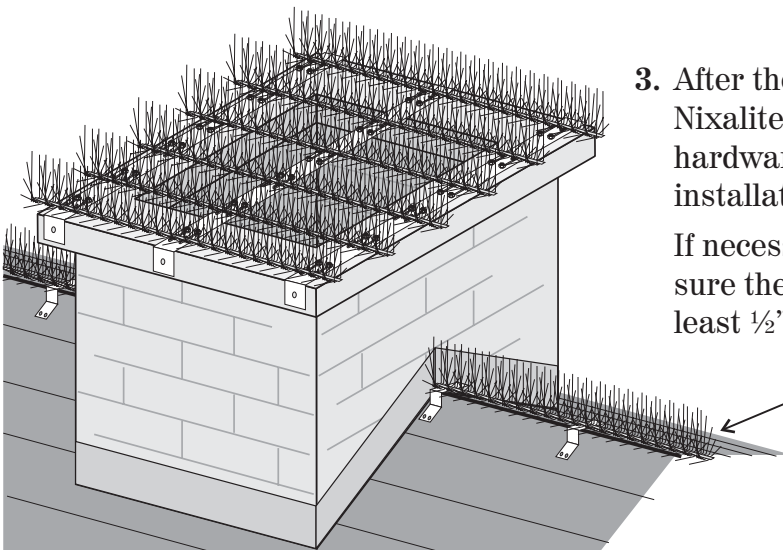
To prevent nuisance birds and climbing animals from getting down into the chimney, install Nixalite's Stainless Steel Bird Control strips across the top of the chimney.

1. Record accurate measurements of the top of the chimney. Record the surface material (i.e. brick, stone, sheet metal, etc.) Send this information to Nixalite.

2. To support the Nixalite Premium Barrier Strips over the chimney and reduce the number of drilled holes, a custom stainless steel strap can be made to fit over the chimney. These straps will usually be ready to install with the Nixalite mounting hardware already in position. For more information on custom made forms, contact Nixalite.



Custom made straps come with Nixalite mounting hardware already in position



3. After the custom straps are securely fastened, pull the Nixalite Premium Barrier Strips into the mounting hardware on the custom forms. The finished installation should look like the sketch at left.

If necessary, cut the strips to fit the surface, making sure the strips overhang the ends of the chimney by at least 1/2".

If birds are roosting on the peak of your roof, install Nixalite's spike strips with the **Ridge Caps**. Contact Nixalite for more information.



Nixalite® of America Inc.
 1025 16th Avenue East Moline, IL. 61244
 Experts In Architectural Bird Control Since 1950

Phone: 800.624.1189 or 309.755.8771
Fax: 800.624.1196 or 309.755.0077
Email: birdcontrol@nixalite.com
Web: www.nixalite.com



Where the World Shops for Humane Bird and Animal Control.