

Effective Installations Don't Just Happen...They Are Planned.

The Guide To Success

Thorough planning, proper installation, follow-up maintenance in the first weeks and periodic inspection of the mounting system, are the keys to a successful plan for Nixalite Bird Control.

Always study the building carefully. Nixalite must be installed on all areas where birds alight, roost or build nests. All areas above, from which birds can drop nesting materials, as well as areas where birds can fly above the installation to drop materials, must be protected with Nixalite.

When installing Nixalite in small pieces or on a complicated surface, cut and fit each piece carefully. Be patient and thorough when applying Nixalite, being sure to cover all contours and angles closely. Do not jam the Nixalite together.

Even though stainless steel has a very low rate of corrosion or reaction with other metals, it is still recommended to apply a protective coating or sealer on dissimilar metal surfaces before installing Nixalite to prevent any galvanic action.

Before deciding on the proper amount of Nixalite to be used, there are some specific figures to consider. Take time to establish the proper position and amount of the Nixalite by referring to the Surface Depth and "Space-i-fication" charts on page 4. Too much Nixalite can be as ineffective as too little.

All exposed edges, as well as the interior of flat surfaces, must be covered.

On inside corners, particularly cornice returns and similarly protected areas, it may be necessary to make a screen or special device with Nixalite to close off the protected area. In some areas,

the Nixalite should be installed both on the surface and upside down on the surface directly above.

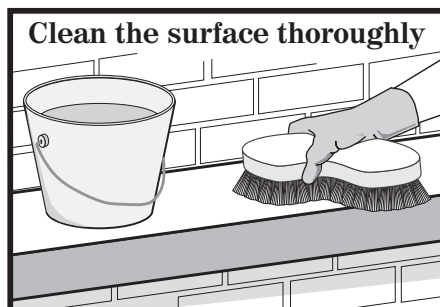
Nixalite can be used on pipes, supports and similar areas. It is also used as a deterrent for climbing animals, rodents and humans.

A free consultation service is provided by our planning department. Submit drawings with exact measurements for recommendations. On site consultation is available by request. However, there is a charge for this service.

Before installing Nixalite remove all overhanging branches and similar foliage where birds can land to drop nesting materials.

Clean the surface thoroughly with a disinfectant. The scent of bird droppings can encourage the birds to come back. Birds will fight hard to retain their old roosts.

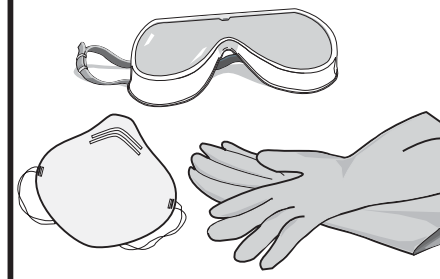
In cases where the accumulation of



bird dung is heavy, it may be necessary to use a bactericide to kill the disease carrying bacteria.

For your protection, wear goggles, gloves and a protective mask to help protect you against the health hazards associated with the bird debris.

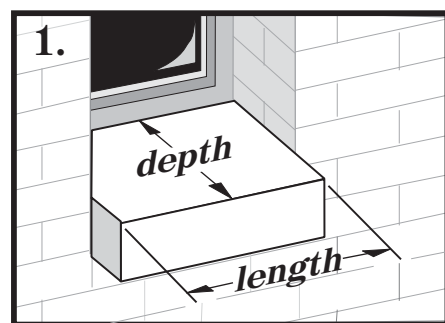
For your protection wear goggles, gloves and a protective mask when cleaning bird waste.



Installing Nixalite Strips

Proper placement and quantity of Nixalite starts with accurate measurements of the surface.

1. Carefully measure the depth and length of the surface, then refer to the **Surface Depth Specification Charts** on page 4 for the number of rows needed. It is sometimes necessary to measure for height clearance when installing Nixalite in tight spaces.



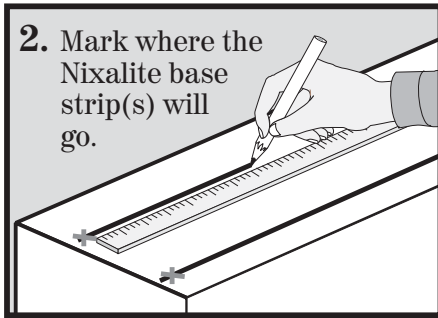
NOTE: Make sure the dimensions you record are accurate. Do not guess or estimate dimensions from a distance. **Accurate dimensions are essential for an effective Nixalite installation.**

Questions About Your Installation?

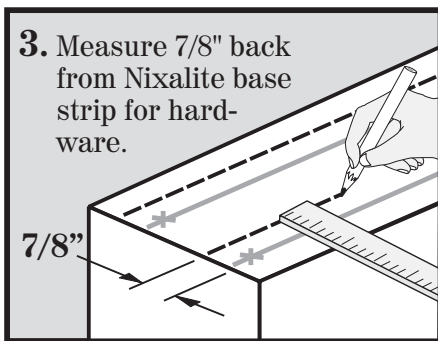
Ph:800-624-1189 or 309-755-8771 Fax:800-624-1196 or 309-755-0077

E-mail:planning@nixalite.com Website:www.nixalite.com

2. Mark where the Nixalite base strip will be positioned. To help you space the Nixalite on the surface correctly, refer to the "Space-i-fications" chart on page 4.

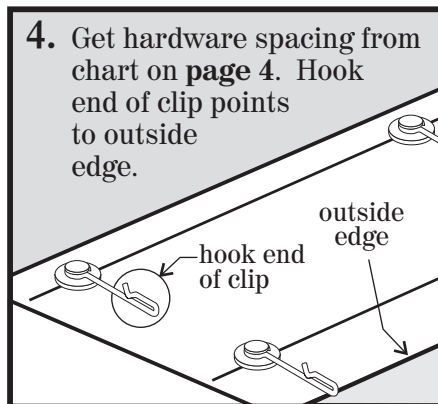


3. Mounting hardware is installed 7/8" from Nixalite base strip. Mark the surface where the mounting hardware units are to be placed.



4. Use the Mounting Hardware Spacing Chart on **page 4**, to determine the proper mounting hardware spacing. Make a mark for each mounting hardware unit, or use an installation template. Call Nixalite for installation template details.

The "hook" end of the mounting clip should point to the closest outside edge of the surface.



Mounting Hardware Instructions

Use the Mounting Hardware Spacing Chart on page 4 to find the proper mounting hardware spacing.

Masonry

1. Drill 3/16" diameter holes, 1" deep.
2. Blow out debris, insert anchors.
3. Insert sheet metal screws through the mounting clips and drive flush into anchors with a screw driver.
4. Slip Nixalite base strip into mounting clips.

Optional: Fill drilled holes with silicone sealer before inserting anchors. This provides protection against water damage.

Wood & Sheet Metal

1. If necessary, make small guide holes with a drill, punch, etc.
2. Insert stainless steel sheet metal screw through the mounting clip and washer (in that order, top to bottom).
3. Use a screw driver to drive screws, clips and washers flush to surface.
4. Slip Nixalite base strip into mounting clips.

Optional: Fill drilled holes with silicone sealer before installing hardware. This provides protection against water damage

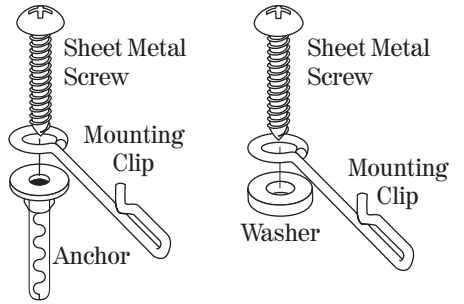
Steel or Iron

1. Drill 11/64" diameter holes, at least 1/2" deep or through the steel.
2. Insert stainless steel drive screws with mounting clips and washers (in that order, top to bottom) into drilled holes.
3. Drive flush with hammer.
4. Slip Nixalite base strip into mounting clips.

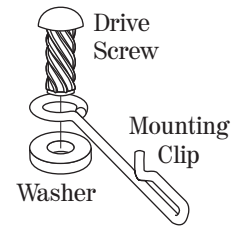
All Nixalite mounting hardware is made of high grade stainless steel or weather resistant materials. If you have any questions or need more information, contact Nixalite or go to www.nixalite.com.

Nixalite Mounting Hardware Units

Masonry Wood/Sheet Metal

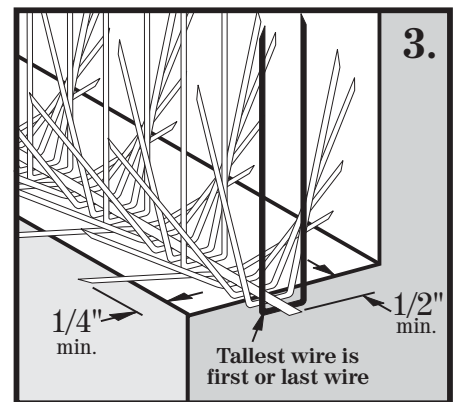


Steel/Iron



Before installing the Nixalite strips into the mounting hardware, there are some important guidelines that must be followed.

1. Be sure the Nixalite strips will fit the area properly. The Nixalite base strip must follow the installation surface closely.
2. Do not leave gaps in the Nixalite coverage. Cover all possible landing areas above, behind or next to the installation areas.
3. **At the exposed ends of a surface**, run the strips 1/2" over the ends. Make sure the **tallest wire** of the strip is the **first** or **last** wire at all exposed surface ends. Make sure the strip wires extend at least 1/4" over the outside edges.



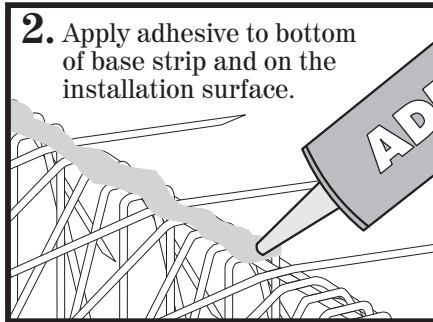
Questions About Your Installation?

Ph:800-624-1189 or 309-755-8771 Fax:800-624-1196 or 309-755-0077

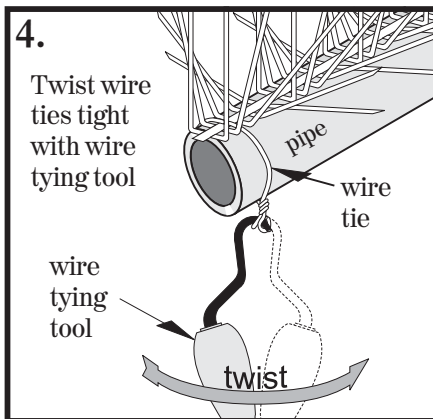
Wire Tie and Adhesive

Recommended for fastening the Nixalite strips to suspended structures, such as pipe, cables, etc. Follow the adhesive manufacturers directions printed on the container.

1. Clean the surface thoroughly.
2. Apply adhesive to the bottom of the Nixalite base strip and to the installation surface.



3. Press the Nixalite strip into the surface adhesive.
4. Wrap the wire tie around the strip and the suspended surface. Twist the loop ends with wire tying tool until tight. Space the wire ties in accordance with the **Mounting Hardware Spacing Chart** on page 4 of this guideline.

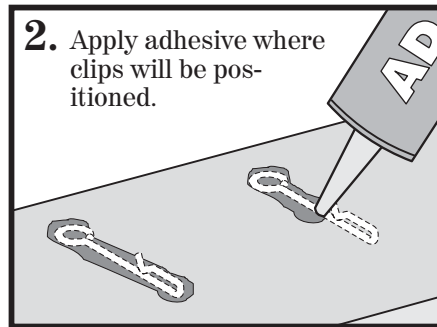


Adhesive Installation Instructions

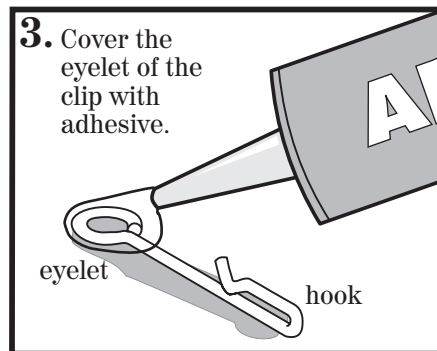
When the use of supplied mounting hardware is not possible, an adhesive installation can be done. **It is recommended to use one mounting hardware unit at each end of the Nixalite strip to ensure solid mounting.** Always follow instructions printed on the adhesive container.

"Non-removable" Method

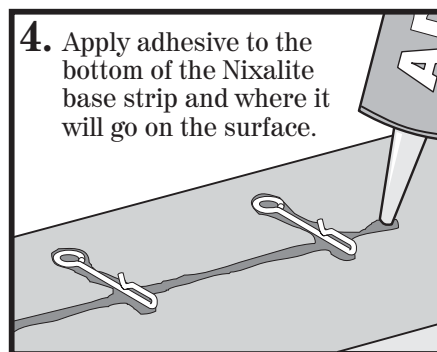
1. Clean the surface thoroughly.
2. By following manufacturers directions printed on the adhesive container, apply adhesive to surface where clips are to be attached. Put clips into the adhesive, making sure not to get any adhesive into the hook end of the clip. The clip hook should point to the closest outside edge of the surface.



3. Cover the eyelet end of the clip with adhesive. Make sure not to get adhesive into the hook end of the mounting clip.



4. After the adhesive holding the clips has cured, apply adhesive to the bottom of the Nixalite base strip and the installation surface. Slip the Nixalite strip into the mounting clips.



5. It is absolutely necessary to allow the adhesive holding the mounting clips to cure for at least 24 hours before inserting the Nixalite strips.

Removable Method

When the use of supplied mounting hardware is not possible, a removable adhesive installation can be done.

However, it is recommended to use one mounting hardware unit at each end of the Nixalite strip to ensure solid mounting.

1. Clean the surface thoroughly.
2. By following manufacturers directions printed on the adhesive container, apply adhesive to surface where clips are to be attached. Put clips into this adhesive, making sure not to get any adhesive into the hook end of the clip. The hook end of clip should point toward the closest outside edge of the surface (see sketch #2 at left).
3. Cover the eyelet of the mounting clip with adhesive making sure not to get adhesive in the hook end of the clip (see sketch #3 at left).
4. It is absolutely necessary to allow the adhesive holding the mounting clips to cure for at least 24 hours before inserting the Nixalite strips.

Keeping Tabs

By setting up a bi-annual visual inspection of the installation, you can keep an eye out for any debris that may get caught in the needles of the strips. Also inspect the mounting hardware system at this time. This allows re-securing the strips in the unlikely event that the strips have come loose from the hardware.

In Closing...

Bear in mind that the birds may fight to retain their nesting and roosting places. Credit the birds for being cunning, persistent and tenacious. Sufficient Nixalite must be installed to do the job effectively. Careful observation before the installation is necessary to locate all the problem areas. Remember that birds will try to drop sticks and other nesting materials into the Nixalite in an attempt to..

...continued next page

For More Information or Planning Assistance
Visit our Website at www.nixalite.com E-mail: planning@nixalite.com

render it useless. That is why the areas above the installation must be protected with Nixalite strips.

Careful thought and planning are required to make the installation successful. **We can furnish the material,**

but it must be installed with skill and ingenuity.

Naturally, since there are so many different factors to be considered, we make no warranties, guarantees or representations, expressed or implied.

Surface Depth Specification Charts

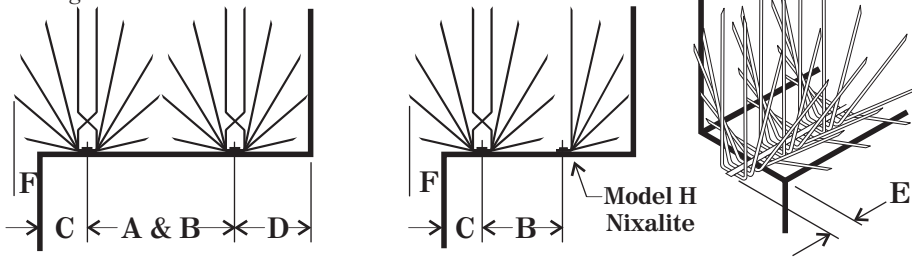
Single Exposed		
Surface Depth		Rows Required
Inches	Centimeters	
0 - 2	0 - 5.1	½ row*
2 - 4	5.2 - 10.2	1 row
4 - 6	10.3 - 15.3	1½ rows
6 - 9	15.3 - 22.9	2 rows
9 - 14	22.9 - 35.6	3 rows
14 - 19	35.6 - 48.3	4 rows
19 - 24	48.3 - 61.0	5 rows
24 - 29	61.0 - 73.7	6 rows
29 - 34	73.7 - 86.4	7 rows
34 - 39	86.4 - 99.1	8 rows

Double Exposed		
Surface Depth		Rows Required
Inches	Centimeters	
0 - 3.5	0 - 8.9	1 row
3.5 - 5.5	8.9 - 14.0	1½ row*
5.5 - 8.5	14.0 - 21.6	2 rows
8.5 - 13.5	21.6 - 34.3	3 rows
13.5 - 18.5	34.3 - 47.0	4 rows
18.5 - 23.5	47.0 - 59.7	5 rows
23.5 - 28.5	59.7 - 72.4	6 rows
28.5 - 33.5	72.4 - 81.5	7 rows
33.5 - 38.5	81.5 - 97.8	8 rows
38.5 - 43.5	97.8 - 110.5	9 rows

*½ row indicates the use of Model H Nixalite. Whole number indicate the use of full row models S Nixalite. **NOTE:** charts DO NOT apply to Model W Nixalite. If using Model W, review the Installing Model W Nixalite pages from Nixalite. Download this brochure from www.nixalite.com or contact Nixalite for a free copy.

Nixalite "Space-i-fication" Charts

- A** Always measure from the **center** of the Nixalite base strip.
- B** 5" (12.7cm) max. and 3½" (8.9cm) min. between two rows of Nixalite. 2½" (6.4cm) max. and 2" (5.1 cm) min. between models H and S Nixalite.
- C** 1¾" (4.4 cm) max. from the outside edge to the **center** of the first row.
- D** 2¼" (5.7 cm) max. from inside wall to the center of the inside row of Nixalite.
- E** Extend Nixalite base strip at least ½" (1.3 cm) over ends of surface.
- F** Nixalite needles must extend over the outside edge at least ¼" (0.6 cm).



Mounting Hardware Spacing Chart

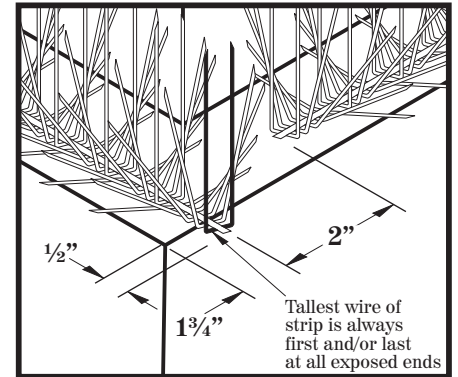
Strip length	Mounting Hardware Spacing
48"	6 units - one at each end, four spaced evenly between
24"	3 units - one at each end, one in middle
16"	2 units - one at each end.
12"	2 units - one at each end.

Never use less than 2 hardware units per strip, no matter how short the strip may be.

Details to Remember:

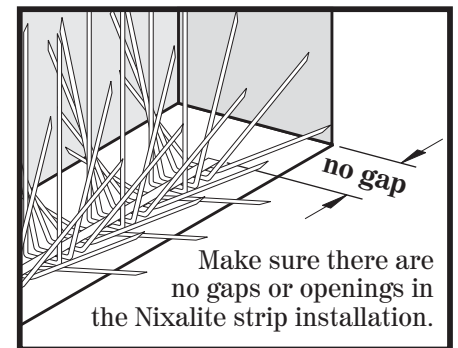
Outside Corners & Exposed Edges:

At outside corners, space the strips as shown below. At exposed ends, the tallest wire of the strip is always the first and/or last wire.



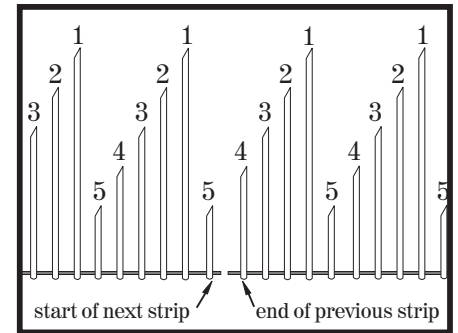
Gaps:

Make sure there are no gaps where Nixalite strips meet walls or other objects, or where two Nixalite strips butt together end-to-end.



Butting Strips:

When two Nixalite strips are butted together in a row, make sure the Nixalite wire pattern continues from one strip to the next strip. No gaps.



Need Help?

Nixalite is open 8:00 a.m. to 4:30 p.m. Central Time, Monday through Friday. Fax or E-mail anytime.

U.S./Canada - Ph:800-624-1189 Fax:800-624-1196

International - Ph:309-755-8771 Fax:309-755-0077

E-mail: sales@nixalite.com Web: www.nixalite.com



Nixalite® of America Inc
1025 16th Avenue East Moline, IL. 61244
Experts In Architectural Bird Control Since 1950

Copyright© 2008 - 2019 by Nixalite® of America Inc. All rights reserved.
Nixalite® is a registered trademark of Nixalite® of America Inc. Printed with pride in the USA.
P_GuideToSuccess100219gaw.cdr - mhd new