

Nixalite® Hardware Installation Templates

Saving Time & Money

If you are installing any of Nixalite's spike strips with our patented mounting hardware, a **Hardware Installation Template** can **save time and money**. These templates cut installation times by eliminating repetitive mounting hardware layouts on surfaces that are the same size and shape.

When to use an installation template

- When you have 2 or more surfaces that are **identical** in size and shape. Layout the hardware on the template once, then quickly transfer hardware locations to multiple surfaces.
- When you have long uninterrupted surfaces that are the **same width for its entire length** (ledges, parapets, etc.). Layout hardware on a 4 foot long template once, then flip it end-to-end along the length of the surface, marking hardware locations each time it is flipped.

Resources: You will need the **spacing guidelines** for type of spike you will be installing. You will also need the Nixalite mounting hardware instructions. If you have any questions, please contact Nixalite.

1. The first step in making an installation template is to **accurately** measure the surface and record the dimensions. Be accurate! **Any mistakes made in the template will be repeated every time you use it.**

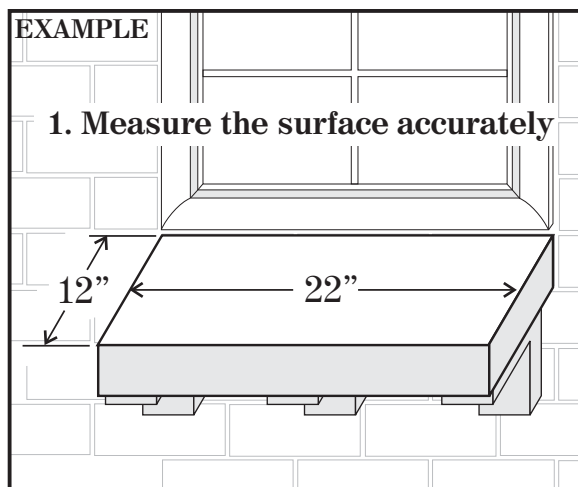
2. The template should be made of reasonably durable material, such as wood or sheet metal. Cut the material to match the surface dimensions.

3. **To avoid confusion when using the template**, mark the "front" and "back" of the template. This will help prevent placing the template on the surface the wrong way and marking the wrong hardware locations.

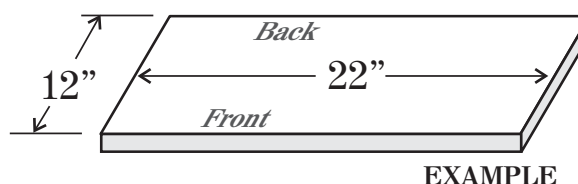
4. Use the installation instructions supplied with your spike strips to establish the proper strip quantities and spacing for the size of the surface. If you do not have the instructions, you can download them from our website at www.nixalite.com or call Nixalite at 800.624.1189. This **example** shows a Nixalite Premium Barrier installation on a 12" x 22" surface.

EXAMPLE TEMPLATE

These illustrations **are examples** and are intended to show basic procedures only. Your application will probably be different and may require additional steps. If you have any questions, contact Nixalite.



2. & 3. Cut template to match surface and label the front & back of the template



- continued on back page -

4. (continued from front page)
The EXAMPLE drawings at right show a Nixalite Premium Bird Spike installation. Using the Nixalite Surface Depth Specification Tables, you will find that this surface requires 3 rows of Premium Model S Nixalite.

Checkpoint: If you are not sure about template construction, contact us. We can design a layout for you.

5. Use the **Mounting Hardware Spacing Table** to find the quantity and spacing for the mounting hardware. Layout the hardware positions on the template.
6. Drill holes through the template at the mounting hardware positions. You now have your installation template.
7. To use the template, place it on the installation surface, making sure the side you have marked "front" is at the front of the surface (the side closest to you). Make sure the template is centered and square.

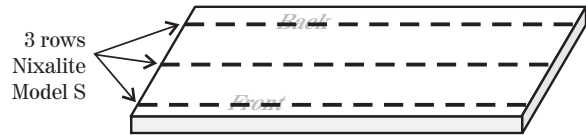
Mark all the hardware positions through the holes drilled in the template. When you have marked all the surfaces, refer to the **Hardware Installation Instructions**. This information can be found in the Guide To Success brochure.

Template Tips:

- **Accuracy is critical.** A mistake in the template will be copied every time it is used. **Take a little extra time to save a lot of time.**
- Even if the template will see limited use, make it out of durable materials. Wood is the most common.

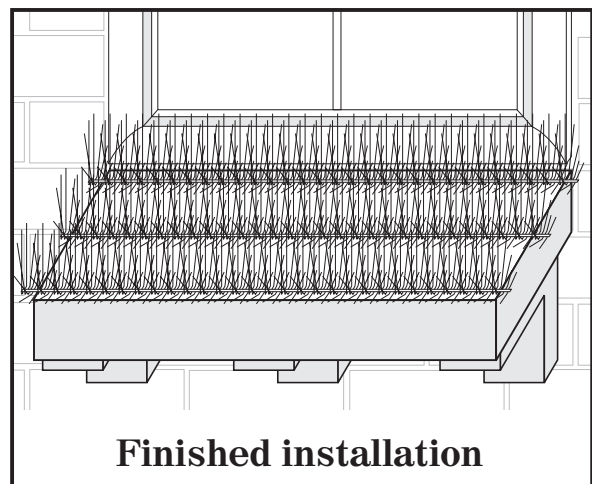
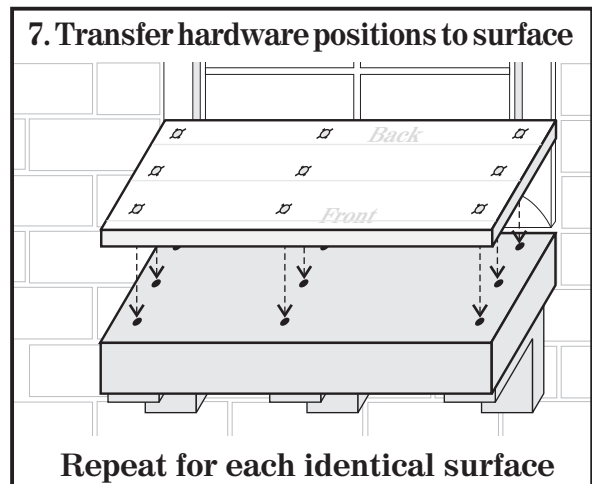
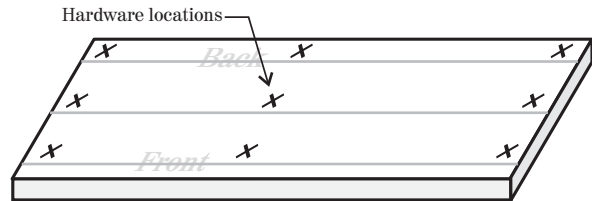
4. Layout the Nixalite strip positions

This example uses 3 rows of Premium Model S



5. Layout the mounting hardware positions

This example uses 3 hardware units per Nixalite strip



Nixalite® of America Inc.
 1025 16th Avenue East Moline, IL. 61244
 Experts In Architectural Bird Control Since 1950

Phone: 800.624.1189 or 309.755.8771

Fax: 800.624.1196 or 309.755.0077

Email: birdcontrol@nixalite.com

Web: www.nixalite.com



Where the World Shops for Humane Bird and Animal Control.