

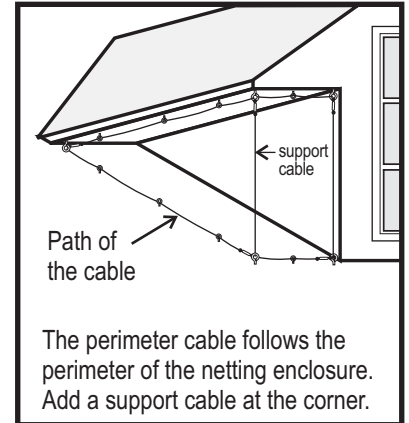
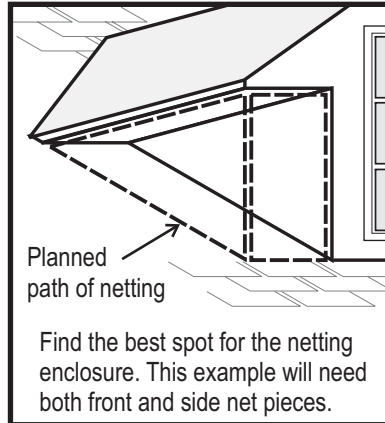
# Bird Netting for Dormers

## Dormer / Cove Example

This page provides basic guidelines for installing a netting enclosure under a roof dormer. The methods and hardware shown are examples. Your installation may require different methods or hardware.

### 1. Where to Install the Net

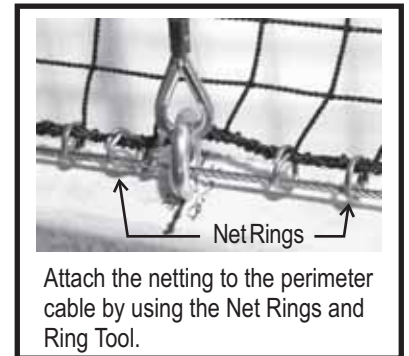
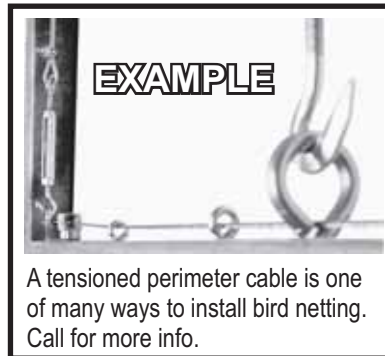
Identify where birds land, roost and nest. Typically, birds prefer the protected areas under the overhanging dormer roof. The best netting location is where it will enclose all the problem areas and/or block the routes that birds use to get to the area.



### 2. Perimeter Fastening

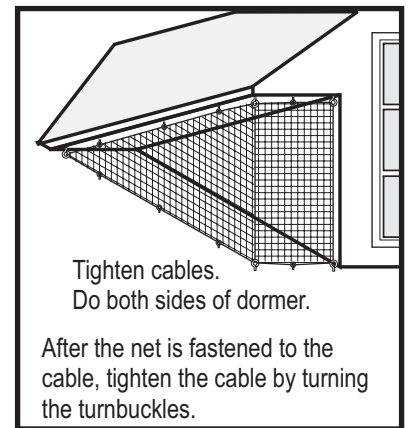
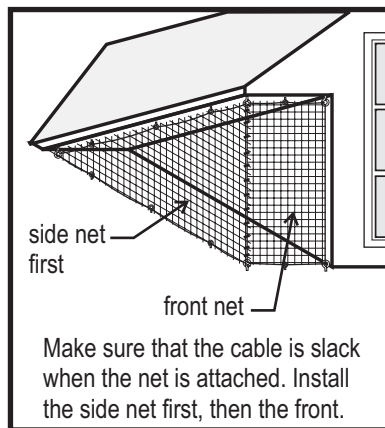
Once you know where the netting should go, you need to decide how to secure the netting to the surfaces. For this example, a perimeter cable system is shown\*.

Install the appropriate corner, guide and connection hardware to complete the perimeter cable installation.



### 3. Install the Bird Netting

The bird netting is fastened to the perimeter cable using the appropriate fasteners. For this example, the stainless steel Net Rings are shown\*.



### 4. Securing Seams

Where two pieces of netting meet, you will need seam fastening hardware. For this example, the Net Rings are used\*. Support cables can be added to provide easy seam fastening.

### 5. Tension the Cables\*

After fastening the net to the cables, you need to tension the cables. The finished netting installation should be drum-tight and look great.

### 6. Inspect Your Work

To exclude birds, the finished installation must be free of gaps or openings that could allow birds to get behind the netting. Make sure that all hardware is secure and there are no gaps at the edges or seams of the netting installation.

**\*NOTE:** There are many other fastening methods available. For more examples, refer to our [Additional Netting Installation Methods](#) page or contact Nixalite directly. If you have any questions or need assistance with your installation, please contact Nixalite.



**Nixalite® of America Inc.**  
 1025 16th Avenue East Moline, IL. 61244  
 Experts In Architectural Bird Control Since 1950

Phone: 800.624.1189 or 309.755.8771  
 Fax: 800.624.1196 or 309.755.0077  
 Email: [birdcontrol@nixalite.com](mailto:birdcontrol@nixalite.com)  
 Web: [www.nixalite.com](http://www.nixalite.com)



*Where the World Shops for Humane Bird and Animal Control.*

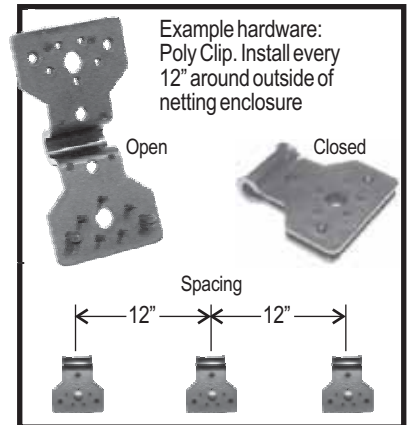
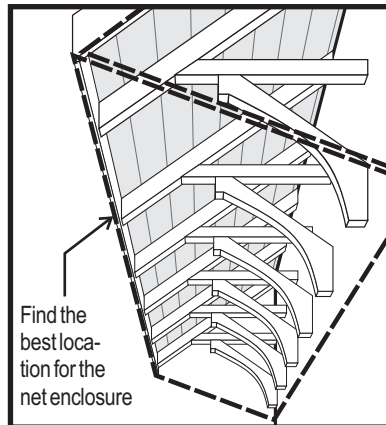
# Bird Netting for Eaves & Overhangs

## Eaves / Overhang Example

This page provides basic guidelines for installing a bird netting enclosure under a simple roof overhang or eave. The methods shown are examples. Your installation may require different methods or hardware.

### 1. Where to Install the Net

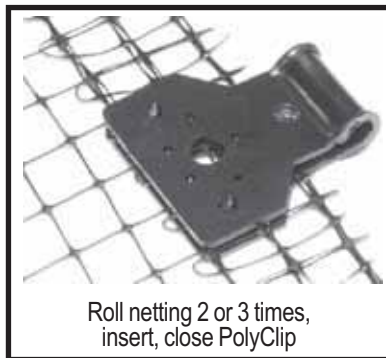
Identify where the birds land, roost and nest. The best location for the bird netting is where it will enclose all of the problem areas and/or block all the routes that birds use to get to the problem areas.



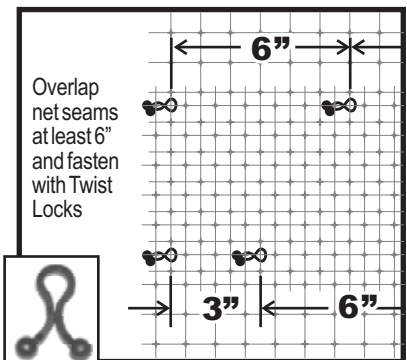
### 2. Perimeter Fastening

Once you know the best path for the netting, you need to decide how to secure it to the surface. For this example, the Poly Clips are used\*.

Poly Clips are spaced every 12" along the outside edge of the bird netting enclosure (top, sides, bottom). Install the Poly Clips with the appropriate fastener (nail, screw, etc - depends on surface material).

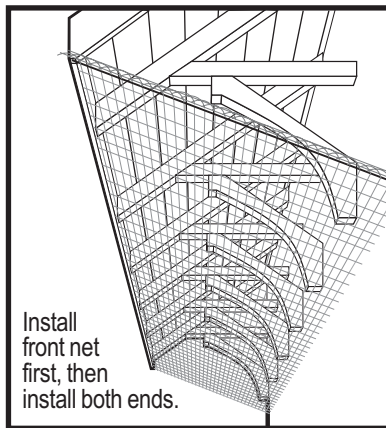


Roll netting 2 or 3 times, insert, close PolyClip



### 3. Install the Bird Netting

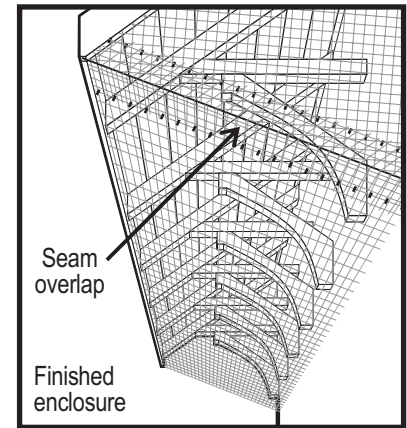
Starting at the top, roll the edge of the bird netting 2 or 3 times and insert it into an open Poly Clip. Close the Poly Clip over the rolled netting. Keep the netting as tight as you can while installing. Repeat the process along all the edges of the netting enclosure.



### 4. Securing Seams

Where two pieces of netting meet, you will need seam fastening hardware. For this example, the Twist Locks are used\*.

To join two pieces of netting at a seam, overlap them by at least 6". Twist Locks are installed every 6" along both sides of the overlapped seam. Push an open Twist Lock over the lapped netting and twist to close.



### 5. Inspect Your Work

To exclude birds, the finished installation must be free of gaps or openings that could allow birds to get behind the netting. Make sure that all hardware is secure and there are no gaps at the edges or seams of the netting installation.

**\*NOTE:** There are many other fastening methods available. For more examples, refer to our [Additional Netting Installation Methods](#) page or contact Nixalite directly. If you have any questions or need assistance with your installation, please contact Nixalite.



**Nixalite<sup>®</sup> of America Inc.**  
1025 16th Avenue East Moline, IL. 61244  
Experts In Architectural Bird Control Since 1950

Phone: 800.624.1189 or 309.755.8771

Fax: 800.624.1196 or 309.755.0077

Email: [birdcontrol@nixalite.com](mailto:birdcontrol@nixalite.com)

Web: [www.nixalite.com](http://www.nixalite.com)



*Where the World Shops for Humane Bird and Animal Control.*