

Nixalite® Troubleshooting Guide

To get the best from the best, you need to install it properly.

The effectiveness of a **Premium Nixalite Barrier Strip** installation depends on how proficiently the strips have been installed. If the installation does not provide the desired results, the problem can usually be traced down to one or more installation errors. Use **Double Check Checklist** and **Important Installation Details** to help you find the problem.

Double Check Checklist

You will need the supplied 'Guide To Success' brochure to complete this checklist

1. Check your surface dimensions. Make sure they are accurate. **NEVER** estimate surface dimensions from a distance.
2. Have you installed enough Nixalite? Use the **Surface Depth Specification Tables** to be sure.
3. Is the Nixalite spaced correctly on the surface? Use the **Nixalite 'Space-I-Fications'** to verify your Nixalite strip spacing.
4. Are all the problem areas protected? Birds will create problems if they are allowed to land above, next to or behind installed Nixalite strips.
5. Did you clean the surface before installing the Nixalite? Birds and animals are drawn to roosts and dens by the scent of past inhabitation. Thorough cleaning can eliminate this.
6. Have you installed the correct Nixalite model? Each Nixalite model has its own specific application. Make sure you have installed the proper Nixalite model for the job.
7. Did you use the supplied mounting hardware? Did you space it correctly? Review the hardware instructions and the **Mounting Hardware Spacing Chart**.

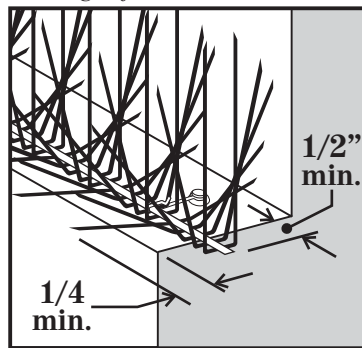
Important Installation Details

These details **must not** be overlooked. Carefully review the details that apply to your installation.

Strip & Wire Overhangs

The Nixalite strip must overhang the end of a surface at least **1/2 inch**.

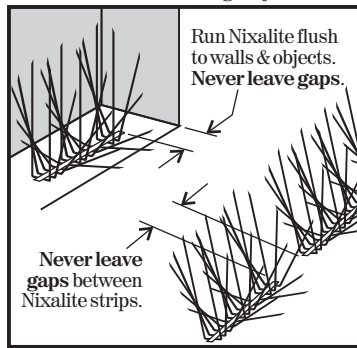
The Nixalite wires must overhang the outside edge by at least **1/4 inch**.



No Gaps In Coverage

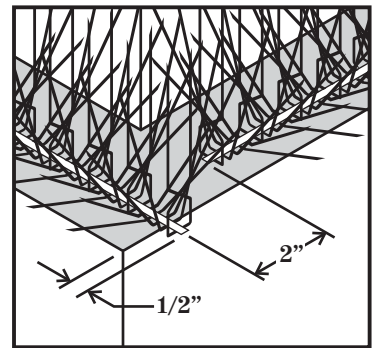
Do not allow gaps where two strips of Nixalite meet end to end.

Do not allow gaps where a Nixalite strip meets a wall or bordering object.



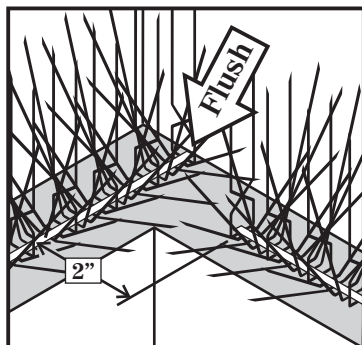
Outside Corners

Where 2 or more rows of Nixalite meet at an outside corner, use the strip pattern shown below. Make sure to follow the strip and wire overhang requirements.



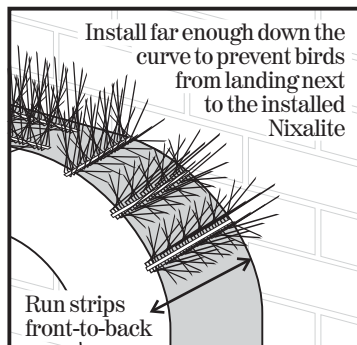
Inside Corners

Where 2 or more rows of Nixalite meet at an inside corner, use the strip pattern shown below. Run strips flush to walls and objects - No gaps allowed.



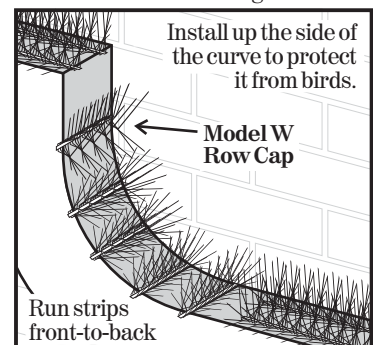
Outside Curves

Install **Model S** front-to-back, far enough down the curve to prevent birds from landing. Space strips to eliminate gaps and excessive wire crossing.



Inside Curves

Install strips front-to-back. Use **Model S** up the side of a curve. Use **Model W** as a **Row Cap**. Space strips to eliminate gaps and excessive wire crossing.

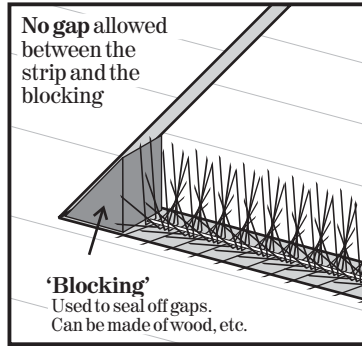


More Installation Details on back.

Nixalite® of America Inc - Ph:800.624.1189 - Fax:800.624.1196 - Web: www.nixalite.com

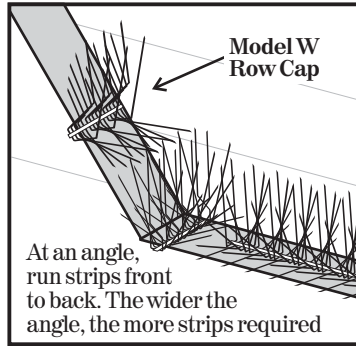
Narrow Angles

For angles less than 90°, it may be necessary to use 'blocking' to fill gaps where the strips will not fit. Paint blocking to match surface.



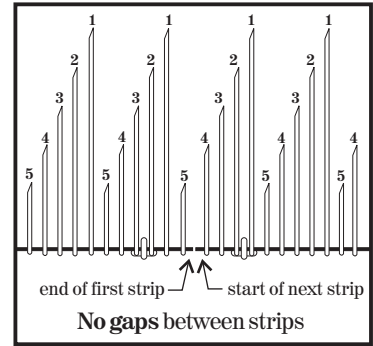
Wide Angles

Install strips front-to-back. As angles widen past 90°, additional rows of Nixalite are needed. Model W Nixalite may be needed as a Row Cap.



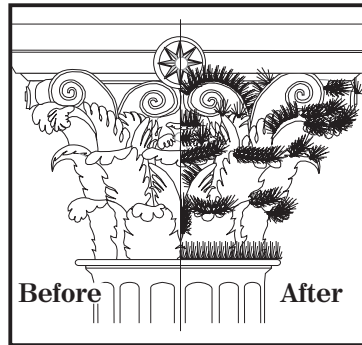
Cutting Strips

If you have to cut the Nixalite, make sure not to cut it short. When installing strips end-to-end, make sure the wire pattern is continued from one strip to the next.



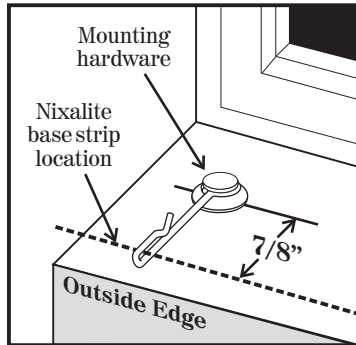
Fitting Strips

Intricate surfaces can be effectively protected by cutting, fitting and securely fastening each Nixalite strip. Complex surfaces will take patience and ingenuity.



Hardware Positioning

Nixalite's mounting hardware is fastened 7/8" from base strip location. Generally, hardware is installed behind the Nixalite strip location (away from outside edge).



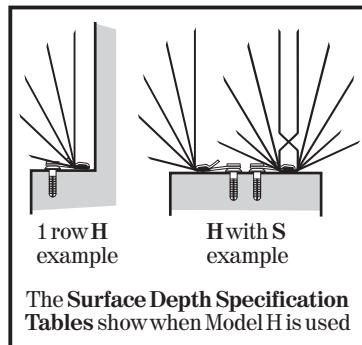
Hardware Spacing

Do not exceed the recommended hardware spacing. The detail below tells how much hardware to use for each strip length and the hardware spacing.



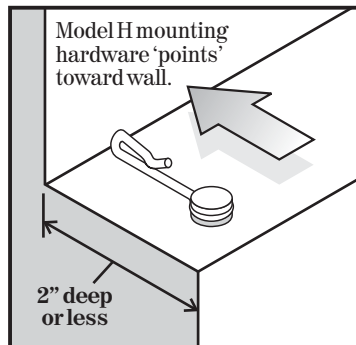
Model H Nixalite

Used for narrow single exposed surfaces 2" deep or less OR with Model S Nixalite on specific width surfaces. DO NOT use Model H for any other application.



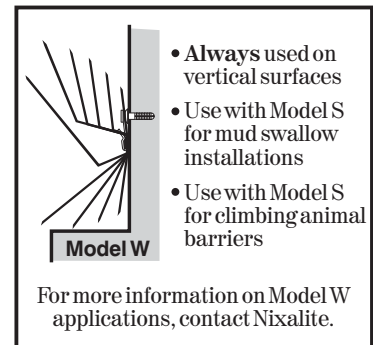
Model H Mounting

When installing Model H on a narrow surface, the mounting hardware 'points' toward the wall. This is the **only time** hardware is installed this manner.



Model W Nixalite

For vertical surfaces ONLY. Use above narrow surfaces less than 2" deep and with Model S for climbing animal barriers. DO NOT install horizontally.



If you need assistance, contact Nixalite. Our reputation for reliable bird control is very important to us and we value the opportunity to help you resolve any problem you might be experiencing. NOTE: We may ask for photos and accurate dimensions of the problem area. This enables us to assess possible problems. In most cases, problems can be diagnosed quickly and corrective measures recommended.



Nixalite® of America Inc.
1025 16th Avenue East Moline, IL. 61244
Experts In Architectural Bird Control Since 1950

Phone: 800.624.1189 or 309.755.8771
Fax: 800.624.1196 or 309.755.0077
Email: birdcontrol@nixalite.com
Web: www.nixalite.com



Where the World Shops for Humane Bird and Animal Control.

Copyright© 2009 by Nixalite® of America Inc. All rights reserved. Nixalite® is a registered trademark of Nixalite® of America Inc. Printed with pride in the USA.